

**VIPERFLEX®**

Hose Reel and 50 Ft. x 3/8" Hose

**OWNER'S MANUAL****⚠ WARNING**

Read this manual carefully before using this product.

This product is not intended for use by children.

Protect yourself and others by observing all safety information, warnings and cautions. Failure to comply with instructions could result in personal injury and/or damage to product or property.

**Please retain instructions for future reference!**

## GENERAL SAFETY

### **WARNING**

The product is designed for use on regulated compressed air lines or on air compressors where the air pressure does not exceed the maximum pressure limit of the hose. Failure to follow this may result in personal injury and or property damage.

### **WARNING**

Do not release hose rapidly. Retracting hose could cause injury or property damage. Maintain control of hose as it retracts.

## INSTALLATION

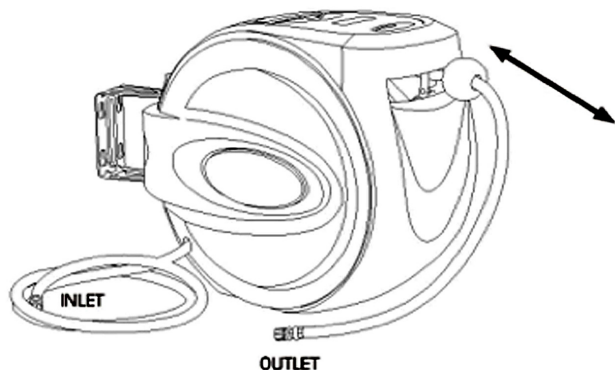
1. Using the reel mounting bracket as a guide, drill 4 pilot holes into wood wall studs or work bench.
2. Attach hose reel, using the screws provided or bolts and washers.

---

 **WARNING** Make sure that the mounting will support up to 55 pounds

---

3. Connect air supply to 1/4" M X M NPT inlet fitting.
4. Connect desired quick connect or tool to the 1/4" M X M NPT outlet fitting.

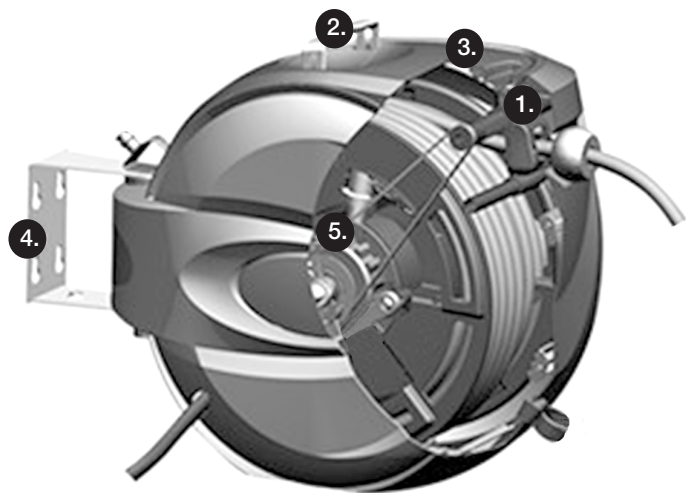


## OPERATION

1. To extend hose, pull hose to desired length. The hose reel must be released to maintain its length. It may be necessary to pull hose beyond desired length to keep it from automatically retracting.
2. To retract, pull hose lightly then allow it to retract. Hose will then automatically retract.

### **⚠ WARNING**

**Do not release hose rapidly! Retracting hose could cause injury or property damage. Maintain control of hose as it retracts.**



1. Self-laying system
2. Metal Handle
3. Safety Hook
4. Metal Mounting Bracket
5. Optional-position Lock

## **SPECIFICATIONS**

Hose Length: 50 Ft + 3 Ft

Working Pressure: 300 PSI

Burst Pressure: 900 PSI

Hose Material: Premium Hybrid Polymer

Air Inlet Thread Size: 1/4"

Hose End: 1/4" M X M NPT Brass Coupler

## **PACKING INFORMATION**

MEAS: 40 x 22 x 33cm

G W/N W: 6.5 / 5.5kgs





***One Year Limited Warranty:***

*For one year from the date of purchase of this OEM® product you find any defect in material or workmanship, through normal usage and not including standard wear, either return it to the place of purchase, or send it to OEM® for repair or replacement at our discretion. In order to obtain this service send your tool and proof of purchase, transportation pre-paid, to OEM® Q.A. Dept, 3580 E. Raines Rd. #3, Memphis, TN 38118. This warranty gives you specific legal rights, and you may also have other rights, which vary from state to state. Please see our website for full warranty information.*

**ViperFlex® is a registered trademark  
of GreatNeck Saw Manufacturing**

**OEM® Company, Mineola, NY 11501  
Made In China  
[www.oem-tools.com](http://www.oem-tools.com)**



24424

# *VIPERFLEX*<sup>TM</sup>

Hose Reel and 50 Ft. x 3/8" Hose

OWNER'S MANUAL