

Please read and save these instructions. Read through this owner's manual carefully before using product. Protect yourself and others by observing all safety information, warnings, and cautions. Failure to comply with instructions could result in personal injury and/or damage to product or property. Please retain instructions for future reference.



## 2 TON LOW PROFILE FLOOR JACK

### FOR CUSTOMER SERVICE

Technical Question?

**CALL 1-866-458-2472**  
**customerservice@oem-tools.com**

### UNPACKING

After unpacking the unit, inspect carefully for any damage that may have occurred during transit. Check for loose, missing, or damaged parts. If any damage is observed, a shipping damage claim must be filed with the carrier. DO NOT use the OEMTOOLS™ Jack if broken, bent, cracked or damaged parts (including labels) are noted. Any Jack that appears damaged in any way, operates abnormally or is missing parts should be removed from service immediately. If you suspect that the Jack was subjected to shock load (a load that was dropped suddenly, unexpectedly, etc.) immediately discontinue use until it has been checked by a factory authorized service center.



### **⚠ WARNING**

The following safety information is provided as a guideline to help you operate your Jack under the safest possible conditions. Any tool or piece of equipment can be potentially dangerous to use when safety or safe handling instructions are not known or not followed. The following safety instructions are to provide the user with the information necessary for safe use and operation. Please read and retain these instructions for the continued safe use of your tool. Failure to follow instructions listed below may result in serious injury. In addition, make certain that anyone who uses the equipment understands and follows these safety instructions as well.

### Explanation of Safety Signal Words

**⚠ WARNING:** Indicates a potentially hazardous situation which, if not avoided, could result in death or serious injury.

**⚠ CAUTION:** Indicates a potentially hazardous situation which, if not avoided, may result in minor or moderate injury.

**CAUTION:** Used without the safety alert symbol indicates a potentially hazardous situation which, if not avoided, may result in property damage.

**NOTES:** Provide clarity and helpful information.

Thank you very much for choosing an OEMTOOLS™ Product!

For future reference, please register your new tool at [www.oem-tools.com](http://www.oem-tools.com) and complete the owner's record below:

**Model:** \_\_\_\_\_ **Purchase Date:** \_\_\_\_\_

Save the receipt, warranty and these instructions. It is important that you read the entire manual to become familiar with this product before you begin using it. This product is designed for certain applications only. OEMTOOLS™ cannot be responsible for issues arising from modification. We strongly recommend this product is not modified and/or used for any application other than that for which it was designed. If you have any questions relative to a particular application, DO NOT use the product until you have first contacted customer service to determine if it can or should be performed on the product.

**⚠ WARNING:** Pursuant to California Proposition 65, this product contains chemicals known to the state of California to cause cancer and birth defects or other reproductive harm. Wash hands after handling.



## 2 TON LOW PROFILE FLOOR JACK

### IMPORTANT INSTRUCTIONS AND SAFETY RULES

#### **⚠ WARNING**

1. Know your tool. Read this manual carefully. Learn the tool's applications and limitations, as well as potential hazards specific to it.
2. Keep work area clean and well lit. Cluttered or dark work areas invite accidents.
3. Keep children away. All children should be kept away from the work area. Never let a child handle a tool without strict adult supervision.
4. DO NOT operate this tool if under the influence of alcohol or drugs. Read warning labels on prescriptions to determine if your judgment or reflexes are impaired while taking drugs. If there is any doubt, DO NOT attempt to operate.
5. Use safety equipment. Eye protection should be worn at all times when operating this tool. Use ANSI approved safety glasses. Everyday eyeglasses are NOT safety glasses. Dust mask, non-skid safety shoes, hard hat or hearing protection should be used in appropriate conditions.
6. Wear proper apparel. Loose clothing, gloves, neckties, rings, bracelets or other jewelry may present a potential hazard when operating this tool. Keep all apparel clear of the tool.
7. DO NOT overreach. Keep proper footing and balance at all times when operating this tool.
8. Check for damage. Check your tool regularly. If part of the tool is damaged, it should be carefully inspected to make sure it can perform its intended function correctly. If in doubt, the part should be repaired. Refer all servicing to a qualified technician. Consult your dealer for advice.
9. Keep away from flammables. DO NOT attempt to operate this tool near flammable materials or combustibles. Failure to comply may cause serious injury or death.
10. Store idle tools out of the reach of children and untrained persons. Tools may be dangerous in the hands of untrained users.
11. Maintain tools with care.
12. Keep tools dry and clean.
13. Properly maintained tools are less likely to bind and are easier to control. DO NOT use a damaged tool. Tag damaged tools "DO NOT use" until repaired.
14. Check for misalignment or binding of moving parts, breakage of parts, and any other condition that may affect the tool's operation.
15. If damaged, have the tool serviced before using. Many accidents are caused by poorly maintained tools.
16. Use only accessories that are recommended by the manufacturer for your model. Accessories that may be suitable for one tool may become hazardous when used on another tool.
17. Tool service must be performed only by qualified repair personnel. Service or maintenance performed by unqualified personnel could result in a risk of injury.
18. When servicing a tool, use only identical replacement parts. Use of unauthorized parts or failure to follow maintenance instructions may create a risk of injury.
19. Maintain a safe working environment. Keep the work area well lit. Make sure there is adequate surrounding workspace. Keep the work area free of obstructions, grease, oil, trash, and other debris. DO NOT use this product in a damp or wet location.
20. Maintain labels and nameplates on this product. These carry important information. If unreadable or missing, contact OEMTOOLS™ for a replacement.
21. Keep the handle dry, clean, and free from brake fluid, oil, and grease.
22. Before using, read and understand all warnings, safety precautions, and instructions as outlined in the vehicle manufacturer's service manual. It is beyond the scope of this manual to properly describe the correct procedure and test data for each vehicle.
23. Always perform vehicle service in a properly ventilated area. Never run an engine without proper ventilation for its exhaust. Stop work and take necessary steps to improve ventilation in the work area if you develop momentary eye, nose, or throat irritation as this indicates inadequate ventilation.
24. Engine parts that are in motion and unexpected movement of a vehicle can injure or kill. When working near moving engine parts, wear snug fit clothing and keep hands and fingers away from moving parts. Keep hoses and tools clear of moving parts. Always stay clear of moving engine parts. Hoses and tools can be thrown through the air if not kept clear of moving engine parts.
25. The unexpected movement of a vehicle can injure or kill. When working on vehicles always set the parking brake or chock the wheels.
26. Avoid accidental fire and/or explosion. DO NOT smoke near engine fuel and battery components.
27. The warnings, precautions, and instructions discussed in this manual cannot cover all possible conditions and situations that may occur. The operator must understand that common sense and caution are factors which cannot be built into this product, but must be supplied by the operator.
28. For safety purposes and the prevention of damage to expensive components, it is advised that the user have an understanding of basic automotive repair and a working knowledge of automotive systems.
29. We believe the information contained herein to be reliable. However, general technical information is given by us without charge and the user shall employ such information at his or her own discretion and risk. We assume no responsibility



## 2 TON LOW PROFILE FLOOR JACK

for results or damages incurred from the use of such information in whole or in part. Always refer to specific instructions and technical information supplied by vehicle manufacturer.

30. The manufacturer declines any and all responsibility for damage to vehicles or components if said damage is the result of unskillful handling by the operator or of failure to observe the basic safety rules set forth in the instruction manual.
31. This equipment is intended only for professional use by personnel trained in performing the service functions for which it was designed.
32. This equipment is designed for servicing a variety of vehicles in a safe, convenient manner. However, differences in vehicle makes and models may make it impossible to use this equipment as it is intended. DO NOT attempt to force the use of this equipment on an application for which it is not designed to perform.
33. The procedures documented in this manual are to serve as guidelines for the use of this equipment.
34. In addition to these guidelines, always follow the manufacturer's recommended procedures when servicing each unique vehicle.
35. The use of this equipment is simple and straightforward if you follow the instructions. When operating this equipment, use common sense, and always stop to think before using a transmission jack or lifting a vehicle.

### PRODUCT DESCRIPTION

This Jack is designed to lift, but not support up to the specified capacity when performing service on a vehicle. It is recommended that this jack is used in conjunction with appropriately rated jack stands.

### SPECIFICATIONS

<b>Weight Capacity</b>	2 Ton
<b>Min. Height</b>	3"
<b>Max. Height</b>	24"
<b>Weight</b>	101.2 Lbs.

### SPECIFIC SAFETY INSTRUCTIONS AND WARNINGS

1. Never use the jack for any purpose other than the information in this manual.
2. Verify that the product and application are compatible, if in doubt call OEMTOOLS™ at 1-866-458-2472.
3. Before using this product, read the operator's manual completely and familiarize yourself thoroughly with the product and its components, and recognize the hazards associated with its use.
4. Wear appropriate safety gear, including heavy-duty work gloves and ANSI-approved safety goggles during use.

5. Ensure that the jack rolls freely. Raise and lower the unloaded jack throughout the lifting range before putting into service to ensure the pump operates smoothly. Replace worn or damaged parts.
6. DO NOT exceed the weight capacity of the jack. Make sure weight is evenly distributed. Be aware of dynamic loading! Sudden load movement may briefly create excess load causing product failure. Exceeding the maximum capacity for this product is dangerous and can lead to serious injury or property damage.
7. Always evaluate your task before using this jack. This jack is designed to lift but not support your vehicle. Use only as intended.
8. Never work under a vehicle only supported by a jack.
9. It is recommended that each un-lifted tire be chocked in both directions.
10. Use only on a hard, level and flat surface capable of bearing the combined weight of the jack, the load being lifted, the operator and any tools being used.
11. DO NOT attempt to move or dolly a vehicle with a jack.
12. DO NOT lift or carry the jack by the handle. The handle may become disconnected resulting in injury or property damage.
13. Before each use, inspect the general condition of the jack. Check for oil leaks, jack operation, loose components, free rotation and pivoting of saddle adjustment components. If a problem occurs, have the problem corrected before further use.

### ⚠ WARNING

DO NOT use a damaged or malfunctioning jack.

14. If in doubt about the safety of your project, we advise you to have the work done by a professional familiar with applicable safety practices.

### ASSEMBLY

1. Assemble the two-piece handle.
2. Insert the handle into the handle fork.
3. Secure the handle to the handle fork by tightening the bolt.



## 2 TON LOW PROFILE FLOOR JACK

### OPERATING INSTRUCTIONS

#### LIFTING

1. Follow the vehicle manufacturer's recommended guidelines for lifting. Engage the emergency brake and chock each un-lifted wheel in both directions to prevent inadvertent vehicle movement.
2. Close the release valve by turning the handle clockwise until resistance is felt. DO NOT over tighten.
3. Refer to the vehicle manufacturer owner's manual to locate approved lifting points on the vehicle. Center the jack saddle under lift point.
4. Pump handle to contact lift point. Check jack positioning under slight load to ensure that jack or load will not slip or move suddenly. To lift, continue pumping until the load reaches the desired height.
5. Transfer the load immediately to appropriately rated jack stands.

#### LOWERING

##### WARNING

Clear all tools and personnel before lowering load.

1. Raise load high enough to clear jack stands.
2. Remove jack stands.
3. Insert the handle end to release the valve just below the handle fork.
4. Slowly turn handle counterclockwise. The speed of descent is controlled by the amount the release valve is turned. Maintain control of the load at all times.

#### ADDING OIL

1. With the saddle fully lowered, set the jack in its upright, level position.
2. Remove the oil filler plug.
3. Add oil until just below the edge of the oil filler plug hole.
4. Re-install the oil filler plug.

#### CHANGING THE OIL

**NOTE:** For best performance and longest life, replace the complete fluid supply at least once per year.

1. With the saddle fully lowered, remove the vent screw.
2. Lay the jack on its side and drain the fluid into a suitable container.

**NOTE:** Dispose of hydraulic fluid in accordance with local environmental regulations.

3. Set the jack in a level position.
4. Fill it with oil until just below the edge of the oil filler plug hole.
5. Re-install the oil filler plug.

#### MAINTENANCE

Use only high quality hydraulic jack oil. Avoid mixing different types of fluid and NEVER use brake fluid, turbine oil, transmission fluid, motor oil or glycerin. Improper fluid can cause premature failure of the jack and the potential for sudden and immediate loss of load.

#### LUBRICATION

A periodic coating of light lubricating oil to pivot points, axles and hinges will help to prevent rust and assure that wheels, casters and pump assemblies move freely.

#### CLEANING

Check the pump piston and ram for signs of rust or corrosion. Clean as needed and wipe with an oily cloth.

**NOTE:** DO NOT use sandpaper or abrasive material on ram and pump piston surfaces.

#### STORAGE

Always store jack in the fully lowered position with the handle in the upright position.

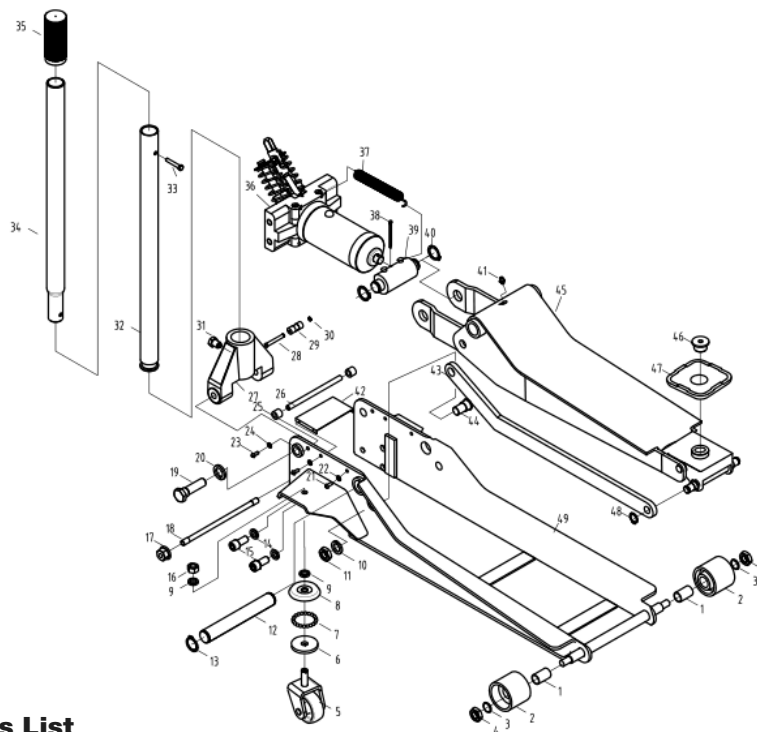


## 2 TON LOW PROFILE FLOOR JACK

**NOTE:** Not all components of the Jack are replacement items, but are illustrated as a convenient reference for location and position in the assembly sequence. The manufacturer and/or distributor have provided the parts list and assembly diagram in this manual as a reference tool only. Neither the manufacturer nor distributor makes any representation or warranty of any kind to the buyer that he or she is qualified to make any repairs to the product, or that he

or she is qualified to replace any parts of the product. In fact, the manufacturer and/or distributor expressly states that all repairs and parts replacements should be undertaken by certified and licensed technicians, and not by the buyer. The buyer assumes all risk and liability arising out of his or her repairs to the original product or replacement parts thereto, or arising out of his or her installation of replacement parts thereto.

### 24838 Main Body Parts Diagram



### 24838 Main Body Parts List

Figure	Description	Qty.
1	Front Wheel	2
2	Bushing	2
3	Washer	2
4	Nut	2
5	Rear Wheel	2
6	Bearing Bottom	2
7	Steel Ball	38
8	Bearing Cover	2
9	Snap Ring	2
10	Washer	2
11	Nut	2
12	Arm Shaft	1
13	Washer	2
14	Washer	4
15	Screw	4
16	Nut	2
17	Shaft	1

Figure	Description	Qty.
18	Nut	2
19	Bolt	2
20	Washer	2
21	Screw	2
22	Washer	2
23	Screw	2
24	Washer	2
25	Retainer	2
26	Return Rod	1
27	Handle Socket	1
28	Shaft	1
29	Roll Wheel	1
30	Snap Ring	1
31	Screw	1
32	Handle Assembly	1
33	Bolt	1
34	Rear Handle	1

Figure	Description	Qty.
35	Handle Sleeve	1
36	Pump Unit	1
37	Spring	2
38	Pin	1
39	Connection Bar	1
40	Snap Ring	2
41	Grease Fitting	1
42	Cover Plate	1
43	Connection Rod	2
44	Bolt	2
45	Lifting Arm	1
46	Screw	1
47	Saddle	1
48	Snap Ring	2
49	Plate Assembly	1



## 2 TON LOW PROFILE FLOOR JACK

### OEMTOOLS™ ONE YEAR WARRANTY

If for up to one year from the date of purchase of this OEMTOOLS™ product, you find any defect in material or workmanship, through normal usage, return it to the place of purchase, or to OEMTOOLS™ for repair or replacement at our discretion. In order to obtain this service, send your tool and proof of purchase, transportation pre-paid, to OEMTOOLS™ Q.A. Dept., 3580 E. Raines Road #3, Memphis, TN 38118. We will not be responsible for lost or damaged goods during transportation; please insure your package. If our inspection verifies the defect, we will either repair or replace the product at our election, or we may elect to refund the purchase price if we cannot readily and quickly provide you with a replacement. We will return repaired products at our expense, but if we determine there is no defect, or that the defect resulted from causes not within the scope of our warranty, then you must bear the cost of returning the product.

OEMTOOLS™ does not provide warranty for products labeled other than OEM® or OEMTOOLS™. OEMTOOLS™ will not provide any warranty for products subjected to abnormal use. Abnormal use includes, but is not limited to, abuse, accident, alteration, neglect, and unauthorized or unreasonable use or repairs. This warranty does not cover bits, blades, files, batteries, or calibration. We recommend that you maintain your tools and sharpen or replace blades, bits, files, and batteries as necessary. OEMTOOLS™ reserves the right to make any changes in construction or design at any time without any obligation in incorporating such changes to tools or equipment previously sold.

OEMTOOLS™ makes every effort to ensure that its products meet high quality and durability standards, and warrants to the original purchaser that this product is free from defects in materials and workmanship for the period of one year from the date of purchase. This warranty does not apply to damage due directly or indirectly to misuse, abuse, negligence or accidents, repairs or alterations outside our facilities, criminal activity, improper installation, normal wear and tear or to lack of maintenance.

We shall in no event be liable for death, injuries to persons or property, or for incidental, contingent, special or consequential damages arising from the use of our product. Some states do not allow the exclusion or limitation of incidental or consequential damages, so the above limitation of exclusion may not apply to you. THIS WARRANTY IS EXPRESSLY IN LIEU OF ALL OTHER WARRANTIES, EXPRESS OR IMPLIED, INCLUDING THE WARRANTIES OF MERCHANTABILITY AND FITNESS. This warranty gives you specific legal rights, and you may also have other rights, which vary from state to state.

Don't forget to register your new OEMTOOLS™ product at [www.oem-tools.com](http://www.oem-tools.com).

## CONTACT US

3580 E. Raines Road, Suite 3, Memphis, TN 38118  
Tel: 1-866-458-2472  
[www.oem-tools.com](http://www.oem-tools.com)



