

Please read and save these instructions. Read through this owner's manual carefully before using product. Protect yourself and others by observing all safety information, warnings, and cautions. Failure to comply with instructions could result in personal injury and/or damage to product or property. Please retain instructions for future reference.



AIR HYDRAULIC MOTORCYCLE LIFT 1,000 LB. CAPACITY

FOR CUSTOMER SERVICE

Technical Question?

CALL 1-866-458-2472
customerservice@oem-tools.com

UNPACKING

After unpacking unit, inspect carefully for any damage that may have occurred during transit. Check for loose, missing, or damaged parts. If any damage is observed, a shipping damage claim must be filed with carrier. DO NOT use the OEMTOOLS® Air Hydraulic Motorcycle Lift 1,000 Lb. Capacity if broken, bent, cracked or damaged parts (including labels) are noted. Any Motorcycle Lift that appears damaged in any way, operates abnormally, or is missing parts should be removed from service immediately. If you suspect that the Motorcycle Lift was subjected to shock load (a load that was dropped suddenly, unexpectedly, etc.), immediately discontinue use until it has been checked by a factory authorized service center.



24859

▲ WARNING

The following safety information is provided as a guideline to help you operate your Motorcycle Lift under the safest possible conditions. Any tool or piece of equipment can be potentially dangerous to use when safety or safe handling instructions are not known or not followed. The following safety instructions are to provide the user with the information necessary for safe use and operation. Please read and retain these instructions for the continued safe use of your Motorcycle Lift. Failure to follow instructions listed below may result in serious injury. In addition, make certain that anyone who uses the equipment understands and follows these safety instructions as well.

Explanation of Safety Signal Words

▲WARNING: Indicates a potentially hazardous situation which, if not avoided, could result in death or serious injury.

▲CAUTION: Indicates a potentially hazardous situation which, if not avoided, may result in minor or moderate injury.

CAUTION: Used without the safety alert symbol indicates a potentially hazardous situation which, if not avoided, may result in property damage.

NOTES: Provide clarity and helpful information.

Thank you very much for choosing an OEMTOOLS® Product!

For future reference, please register your new tool at www.oem-tools.com and complete the owner's record below:

Model: _____ **Purchase Date:** _____

Save the receipt, warranty and these instructions. It is important that you read the entire manual to become familiar with this product before you begin using it. This product is designed for certain applications only. OEMTOOLS® cannot be responsible for issues arising from modification. We strongly recommend that this product is not modified and/or used for any application other than that for which it was designed. If you have any questions relative to a particular application, DO NOT use the product until you have first contacted customer service to determine if it can or should be performed on the product.

OEMTOOLS® AIR HYDRAULIC MOTORCYCLE LIFT 1,000 LB. CAPACITY

! IMPORTANT INSTRUCTIONS AND SAFETY RULES

1. Know your product. Read this manual carefully. Learn the product's applications and limitations, as well as potential hazards specific to it. The use of this product is simple and straightforward if you follow the instructions. When operating this product, use common sense and only use this product for its intended purpose.
2. Maintain labels and nameplates on this product. These carry important information. If unreadable or missing, contact OEMTOOLS® for a replacement.
3. Maintain this product with care. Keep it dry and clean – and free from brake fluid, oil, and grease (if applicable).
4. Check for damage. Check your product regularly. If part of the product is damaged, it should be carefully inspected to make sure that it can perform its intended function correctly. If in doubt, the part should be repaired. Refer all servicing to a qualified technician. Consult your dealer for advice.
5. Check for misalignment or binding of moving parts, breakage of parts, and any other condition that may affect the product's operation.
6. DO NOT use a damaged product. Tag damaged products "DO NOT USE" until repaired. If damaged, have the product serviced before using. Many accidents are caused by poorly maintained products.
7. Service must be performed only by qualified repair personnel. Service or maintenance performed by unqualified personnel could create a risk of injury.
8. When servicing a product, use only identical replacement parts. Use of unauthorized parts or failure to follow maintenance instructions could create a risk of injury.
9. Use only accessories that are recommended by the manufacturer for your model. Accessories that may be suitable for one product may become hazardous when used on another product.
10. Keep work area clean and well lit. Cluttered or dark work areas invite accidents.
11. Maintain a safe working environment. Keep the work area well lit. Make sure there is adequate surrounding workspace. Keep the work area free of obstructions, grease, oil, trash, and other debris. DO NOT use this product in a damp or wet location.
12. Keep children away. All children should be kept away from the work area. Never let a child handle this product without strict adult supervision.
13. Store this product out of the reach of children and untrained persons. This product may be dangerous in the hands of untrained users.
14. DO NOT operate this product if under the influence of alcohol or drugs. Read warning labels on prescriptions to determine if your judgment or reflexes are impaired while taking drugs. If there is any doubt, DO NOT attempt to operate.
15. Use safety equipment. Eye protection should be worn at all times when operating this product. Use ANSI approved safety glasses. Everyday eyeglasses are NOT safety glasses. Dust mask, non-skid safety shoes, hard hat or hearing protection should be used in appropriate conditions.
16. Wear proper apparel. Loose clothing, gloves, neck-ties, rings, bracelets or other jewelry may present a potential hazard when operating this product. Keep all apparel clear of the product.
17. DO NOT overreach. Keep proper footing and balance at all times when operating this product.
18. Keep away from flammables. DO NOT attempt to operate this product near flammable materials or combustibles. Failure to comply may cause serious injury or death.
19. Avoid accidental fire and/or explosion. DO NOT smoke near engine fuel and battery components.
20. We believe the information contained herein to be reliable. However, general technical information is given by us without charge and the user shall employ such information at their own discretion and risk. We assume no responsibility for results or damages incurred from the use of such information in whole or in part. Always refer to specific instructions and technical information supplied by vehicle manufacturer.
21. The manufacturer declines any and all responsibility for property damage or injury if said damage is the result of unskillful handling by the operator or of failure to observe the basic safety rules set forth in the instruction manual.
22. The warnings, precautions, and instructions discussed in this manual cannot cover all possible conditions and situations that may occur. The operator must understand that common sense and caution are factors which cannot be built into this product, but must be supplied by the operator.

PRODUCT DESCRIPTION

The OEMTOOLS® 24859 Air Hydraulic Motorcycle Lift can lift motorcycles (up to 1,000 lbs.) to nearly 30" with the convenient pump pedal or when connected to shop air for even quicker lifting. This motorcycle lift is great for maintenance or repair of most motorcycles.

PRODUCT SPECIFICATIONS

Capacity	1,000 Lbs. (453.6 Kg)
Min. Height	7" (177.8 mm)
Max. Height	29.5" (749.3 mm)
Platform Dimensions	86.5" x 26.75" (219.7 cm x 67.95 cm)
Recommended Air Pressure	120-150 PSI
Air Inlet Fitting	1/4"

OEM TOOLS® AIR HYDRAULIC MOTORCYCLE LIFT 1,000 LB. CAPACITY

CONTENTS

Qty	Part	Qty	Part
1	Main Lift Assembly	1	Release Pedal
2	2 Front Casters	1	Cover Plate
2	2 Rear Wheels	1	Wheel Clamp
1	Hardware Kit	1	Lock Bar
1	Pump Pedal	1	Ramp

SPECIFIC SAFETY INSTRUCTIONS AND WARNINGS

Thoroughly read and understand all instructions in this product manual before using this product. Failure to follow all instructions listed below may result property damage and/or serious personal injury.

▲WARNING:

- DO NOT exceed the rated capacity of the motorcycle lift.
- DO NOT attempt to transport a motorcycle on the lift. The lift is only used in a static position for lifting and lowering loads. Ensure that the motorcycle is stable before lifting, lowering or working on the motorcycle.
- DO NOT make any modifications to the lift.
- DO NOT tamper with or adjust safety valve.
- Use only on hard, level surfaces.
- Use this motorcycle lift only for its intended purpose.
- Always position the motorcycle completely onto the platform. DO NOT use the ramp to support any portion of the motorcycle while lifting.
- Before lifting, ensure that the weight of the motorcycle has been fully supported by the lift platform.
- Always center load on lift platform.
- Use only appropriately rated straps to secure the motorcycle on the platform before lifting.
- Immediately after lifting load, ensure lift locking bar is inserted and secure.
- Before moving, lower the lift to the lowest point.
- Wear ANSI approved safety glasses and work gloves during use.
- Keep clear of load while lifting and lowering.
- Always lower lift platform slowly.
- Inspect before every use. DO NOT use if parts are loose or damaged.

ASSEMBLY

- Attach the 2 Rear Wheels (44) onto the chassis using the Washer (43) and Cotter Pin (31)
- Attach the 2 Front Casters (14) onto the chassis using the Bolt (12), Washer (13), Lock Washer (20) and Nut (21).
- Attach the Release Pedal (10) to the Release Valve Spindle (5).
- Attach the Pump Pedal (11) to the Pump Spindle (9).

- Raise the motorcycle lift to an appropriate height and insert the Safety Bar (22) into the holes on the lifting arm. Install Wheel Clamp Assembly (55).
- Insert U-Bolt Tie Downs (42) onto the Lifting Table (35) and attach them using Nuts (33).
- Connect the Ramp (37) to the Lifting Table (35) using Washer (23) and R Pin (4).
- Install the Cover Plate (36) onto the Lifting Table (35).

BEFORE FIRST USE

- After assembly, wait for one hour to allow the oil in the pump to settle before purging air from the system.

NOTE: Failure to allow sufficient time for the oil to settle could result in air remaining in the oil. In this event, the pump will not purge completely the first time and a second purge will be required.

- Connect the male quick coupler fitting into the air supply hose female quick coupler. Then fully depress the Release Pedal (10). Actuate the air valve letting the pump work for 20 seconds to eliminate any air in the hydraulic system.
- Test the lift by raising it to full height and then lowering it. Depress Release Pedal (10) slowly to control the rate of descent.

OPERATION

- Adjust the Leveling Supports (18) down to raise the casters off the ground to prevent the lift from moving.
- Push the motorcycle up the ramp and onto the platform.

NOTE: Multiple mounting holes in the platform allow the vise to fit a variety of motorcycles.

- Clamp the front wheel in Wheel Clamp Assembly (55) to prevent any movement of the motorcycle.
- Strap the motorcycle securely to the platform using the U-bolt Tie Down (42) locations.
- With the quick coupler connected to your air supply hose, actuate the air valve to raise the lift. When air source is not available, pump the lift Pump Pedal (11) to raise the lift.
- When the platform has been raised to the working height, shut the air valve (or stop pumping) and insert the Safety Bar (22) through the holes in the front Lifting Arm (38) so that the lift cannot be accidentally lowered.
- Before lowering, check under the lift to ensure that there are no obstructions and that it is safe to lower the unit. Remove the Safety Bar (22) and then SLOWLY press the release foot pedal to GENTLY lower the lift.

NOTE: Multiple mounting holes in the platform allow the vise to fit a variety of motorcycles.

- When the lift is fully lowered, unstrap the motorcycle, open the vise jaws and remove the motorcycle from the lift.

OEMTOOLS® AIR HYDRAULIC MOTORCYCLE LIFT 1,000 LB. CAPACITY

CARE AND MAINTENANCE

1. When not in use, the lift must be stowed in the lowest position in a dry location to minimize ram and piston corrosion.
2. Keep the lift clean and wipe off any oil or grease. Lubricate all moving parts.
3. Periodically check the ram and piston for signs of corrosion. Clean exposed areas with a clean, oiled cloth.
4. Before each use, check all parts. If any part of the lift is damaged (or suspected to be damaged), remove the lift from service and take necessary action to repair.
5. If the lift efficiency drops, purge air from the hydraulic system by fully depressing the Release Pedal (10) and actuating the air valve allowing it to pump for 20 seconds to eliminate any air in the hydraulic system.
6. Check the hydraulic oil level. If the oil level is low, remove the filler plug on the pump and add hydraulic oil as necessary. DO NOT use brake fluid or any other improper fluid. Use only a high quality hydraulic jack oil.

To check the oil level, please use the following procedure – it is recommended to have several people present to perform this operation

1. Raise the platform to a working height. Carefully raise the front of the lift while another person places a sturdy 7" block under the base frame where the 2 front casters are located.

▲CAUTION: Be sure that the person assisting is clear of the lift before lowering onto the block.

2. Lower the lift completely with the block underneath the lift. By placing the block under the frame, the pump should now be in a horizontal position as shown in Figure 2.
3. Remove the Cover Plate (36) and then remove the Oil Plug (P28 in Figure 1).

4. The oil level should be even with the top surface of the cylinder (at horizontal position) right below the filler plug hole. (Figure 2)
5. If the oil level is low, add quality hydraulic oil as necessary to reach the top of the cylinder. DO NOT use brake fluid.

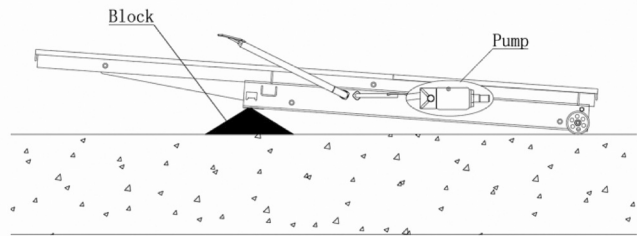


FIGURE 2

DISPOSAL

At the end of the useful life of the motorcycle lift, dispose of the components according to all local, state, and federal regulations.

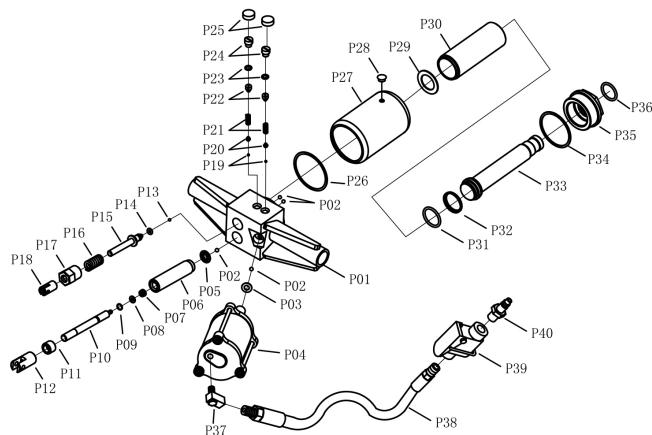
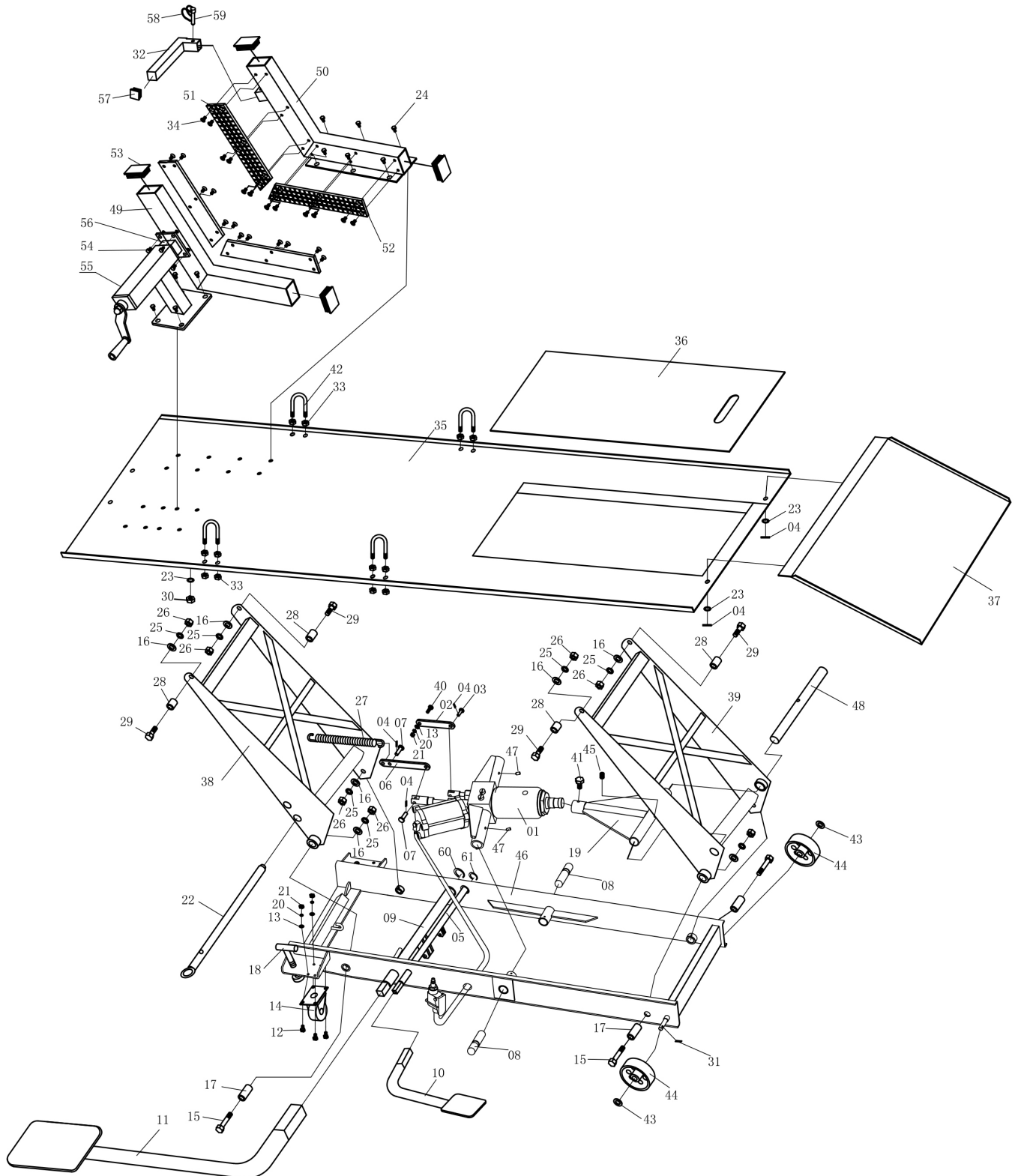


FIGURE 1

OEMTOOLS® AIR HYDRAULIC MOTORCYCLE LIFT **1,000 LB. CAPACITY**

PARTS DIAGRAM



OEMTOOLS® AIR HYDRAULIC MOTORCYCLE LIFT 1,000 LB. CAPACITY

PARTS LIST

Figure	Description	Qty.
1	Pump	1
2	Link	1
3	Pin	1
4	R-pin	5
5	Release Valve Spindle	1
6	Link	1
7	Pin	2
8	Axle	2
9	Pump Spindle	1
10	Release Pedal	1
11	Pump Pedal	1
12	Bolt	8
13	Washer	9
14	Front Caster	2
15	Bolt	4
16	Washer	8
17	Bushing	4
18	Leveling Supports	2
19	Saddle	1
20	Lock Washer	9
21	Nut	9
22	Safety Bar	1
23	Washer	12
24	Bolt	10
25	Lock Washer	8
26	Nut	8
27	Spring	1
28	Bushing	4
29	Bolt	4
30	Nut	10
31	Cotter Pin	2
32	Stop Tube	1
33	Nut	16
34	Screw	24
35	Lifting Table	1
36	Cover Plate	1
37	Ramp	1

Figure	Description	Qty.
38	Lifting Arm	1
39	Lifting Arm	1
40	Screw	1
41	Bolt	1
42	U-Bolt Tie Down	4
43	Washer	2
44	Rear Wheel	2
45	Screw	1
46	Chassis	1
47	Bolt & Washer Assembly	2
48	Axle	1
49	Sliding Clamp	1
50	Fixed Clamp	1
51	Rubber Pad	2
52	Rubber Pad	2
53	End Cap	4
54	Bolt	4
55	Wheel Clamp Assembly	1
56	Inner Tube	1
57	End Cap	2
58	Ring	1
59	Pin	1
60	Snap Ring	2
61	Snap Ring	2

OEMTOOLS® AIR HYDRAULIC MOTORCYCLE LIFT 1,000 LB. CAPACITY

OEMTOOLS® ONE YEAR WARRANTY

For up to one year from the date of purchase of this OEMTOOLS® product, if you find any defect in material or workmanship (through normal usage), return it to the place of purchase or to OEMTOOLS® for repair or replacement at our discretion. In order to obtain this service, send the product and proof of purchase (transportation pre-paid) to:

OEMTOOLS® Q.A. Dept, 3580 E. Raines Road #3, Memphis, TN 38118.

We will not be responsible for lost or damaged goods during transportation; please insure your package. If our inspection verifies the defect, we will either repair or replace the product, or we may elect to refund the purchase price if we cannot readily and quickly provide you with a replacement. We will return repaired products at our expense, but if we determine there is no defect, or that the defect resulted from causes not within the scope of our warranty, then you must bear the cost of returning the product.

OEMTOOLS® does not provide warranty for products labeled other than OEM® or OEMTOOLS®. OEMTOOLS® will not provide any warranty for products subjected to abnormal use. Abnormal use includes (but is not limited to) abuse, accident, alteration, neglect, and unauthorized or unreasonable use or repairs. This warranty does not cover bits, blades, files, batteries, or calibration. We recommend that you maintain your tools and sharpen or replace blades, bits, files, and batteries as necessary. OEMTOOLS® reserves the right to make any changes in construction or design at any time without any obligation in incorporating such changes to tools or equipment previously sold.

OEMTOOLS® makes every effort to ensure that its products meet high quality and durability standards, and warrants to the original purchaser that this product is free from defects in materials and workmanship for the period of one year from the date of purchase. This warranty does not apply to damage due directly or indirectly to misuse, abuse, negligence or accidents, repairs or alterations outside our facilities, criminal activity, improper installation, normal wear and tear, or to lack of maintenance.

We shall in no event be liable for death, injuries to persons or property, or for incidental, contingent, special or consequential damages arising from the use of our product. Some states do not allow the exclusion or limitation of incidental or consequential damages, so the above limitation of exclusion may not apply to you. THIS WARRANTY IS EXPRESSLY IN LIEU OF ALL OTHER WARRANTIES, EXPRESS OR IMPLIED, INCLUDING THE WARRANTIES OF MERCHANTABILITY AND FITNESS. This warranty gives you specific legal rights, and you may also have other rights, which vary from state to state.

Don't forget to register your new OEMTOOLS® product at www.oem-tools.com.

CONTACT US

3580 E. Raines Road, Suite 3, Memphis, TN 38118
Tel: 1-866-458-2472
www.oem-tools.com