

Please read and save these instructions. Read through this owner's manual carefully before using product. Protect yourself and others by observing all safety information, warnings, and cautions. Failure to comply with instructions could result in personal injury and/or damage to product or property. Please retain instructions for future reference.



ADJUSTABLE HYDRAULIC SHOP STOOL

FOR CUSTOMER SERVICE

Technical Question?

CALL 1-866-458-2472
customerservice@oem-tools.com

UNPACKING

After unpacking the unit, inspect carefully for any damage that may have occurred during transit. Check for loose, missing, or damaged parts. If any damage is observed, a shipping damage claim must be filed with the carrier. DO NOT use the OEMTOOLS™ Adjustable Hydraulic Shop Stool if broken, bent, cracked or damaged parts (including labels) are noted. Any Shop Stool that appears damaged in any way, operates abnormally or is missing parts should be removed from service immediately. If you suspect that the Shop Stool was subjected to shock load (a load that was dropped suddenly, unexpectedly, etc.), immediately discontinue use until it has been checked by a factory authorized service center.



24911
1 Adjustable Hydraulic Shop Stool

24911TWO
2-Pack Adjustable Hydraulic Shop Stools

Thank you very much for choosing an OEMTOOLS™ Product!

For future reference, please register your new tool at www.oem-tools.com and complete the owner's record below:

Model: _____ **Purchase Date:** _____

Save the receipt, warranty and these instructions. It is important that you read the entire manual to become familiar with this product before you begin using it. This product is designed for certain applications only. OEMTOOLS™ cannot be responsible for issues arising from modification. We strongly recommend that this product is not modified and/or used for any application other than that for which it was designed. If you have any questions relative to a particular application, DO NOT use the product until you have first contacted customer service to determine if it can or should be performed on the product.

PRODUCT DESCRIPTION

The OEMTOOLS™ Adjustable Hydraulic Shop Stool is ideal for shop or garage use. It is designed with a durable, vinyl-padded swivel seat and backrest for comfortable support.

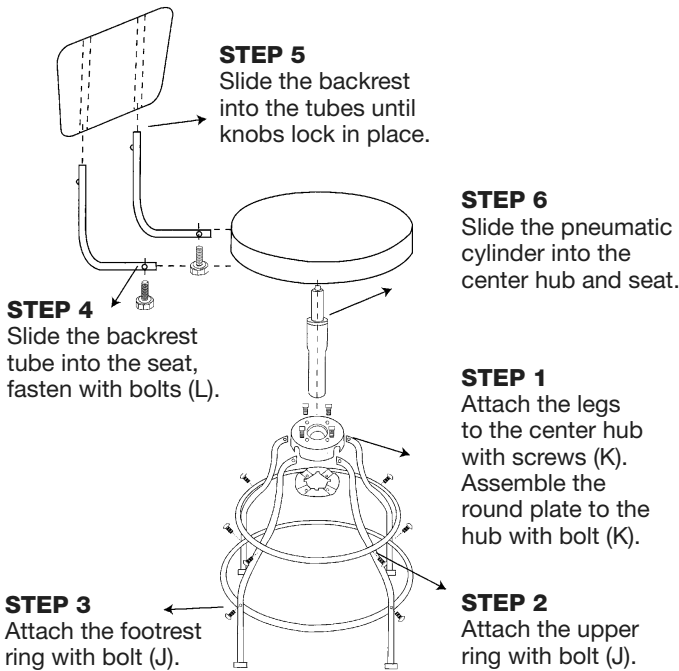
PRODUCT SPECIFICATIONS

Adjustable Height: 29" to 33"



ADJUSTABLE HYDRAULIC SHOP STOOL

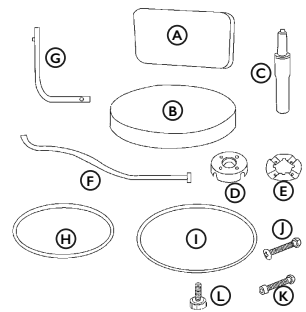
ASSEMBLY



PARTS LIST

Figure	Description	Qty.
A	Backrest	1
B	Seat	1
C	Pneumatic Cylinder	1
D	Center Hub	1
E	Round Plate	1
F	Leg	4
G	Tube	2
H	Upper Ring	1
I	Footrest Ring	1
J	Bolt and Nut (Hex)	8
K	Bolt and Nut	4
L	Small Bolt	2

PARTS DIAGRAM



NOTE: Not all components of the Stool are replacement items, but are illustrated as a convenient reference for location and position in the assembly sequence. The manufacturer and/or distributor have provided the parts list and assembly diagram in this manual as a reference tool only. Neither the manufacturer nor distributor makes any representation or warranty of any kind to the buyer that he or she is qualified to make any repairs to the product, or that he or she is qualified to replace any parts of the product. In fact, the manufacturer and/or distributor expressly states that all repairs and parts replacements should be undertaken by certified and licensed technicians, and not by the buyer. The buyer assumes all risk and liability arising out of his or her repairs to the original product or replacement parts thereto, or arising out of his or her installation of replacement parts thereto.

OEMTOOLS™ LIMITED LIFETIME WARRANTY

For as long as you own this OEMTOOLS™ product, if you find any defect in material or workmanship through normal usage and not including standard wear, return it to the place of purchase or send it to OEMTOOLS™ for repair or replacement at our discretion. In order to obtain this service, send your stool and proof of purchase (transportation pre-paid) to OEMTOOLS™ Q.A. Dept., 3580 E. Raines Rd. #3, Memphis, TN 38118. This warranty gives you specific legal rights, and you may also have other rights, which vary from state to state. We will not be responsible for lost or damaged goods during transportation; please insure your package. If our inspection verifies the defect, we will either repair or replace the product, or we may elect to refund the purchase price if we cannot readily and quickly provide you with a replacement. We will return repaired products at our expense, but if we determine there is no defect or that the defect resulted from causes not within the scope of our warranty, then you must bear the cost of returning the product.

OEMTOOLS™ does not provide warranty for products labeled other than OEM® or OEMTOOLS™. OEMTOOLS™ will not provide any warranty for products subjected to abnormal use. Abnormal use includes (but is not limited to) abuse, accident, alteration, neglect, and unauthorized or unreasonable use or repairs. This warranty does not cover bits, blades, files, batteries, or calibration. We recommend that you maintain your tools and sharpen or replace blades, bits, files, and batteries as necessary. OEMTOOLS™ reserves the right to make any changes in construction or design at any time without any obligation in incorporating such changes to tools or equipment previously sold.

OEMTOOLS™ makes every effort to ensure that its products meet high quality and durability standards, and warrants to the original purchaser that this product is free from defects in materials and workmanship for the period of one year from the date of purchase. This warranty does not apply to damage due directly or indirectly to misuse, abuse, negligence or accidents, repairs or alterations outside our facilities, criminal activity, improper installation, normal wear and tear, or to lack of maintenance.

We shall in no event be liable for death, injuries to persons or property, or for incidental, contingent, special or consequential damages arising from the use of our product. Some states do not allow the exclusion or limitation of incidental or consequential damages, so the above limitation of exclusion may not apply to you. THIS WARRANTY IS EXPRESSLY IN LIEU OF ALL OTHER WARRANTIES, EXPRESS OR IMPLIED, INCLUDING THE WARRANTIES OF MERCHANTABILITY AND FITNESS. This warranty gives you specific legal rights, and you may also have other rights, which vary from state to state.

Don't forget to register your new OEMTOOLS™ product at www.oem-tools.com.

CONTACT US

3580 E. Raines Road, Suite 3, Memphis, TN 38118
 Tel: 1-866-458-2472
www.oem-tools.com

