

Please read and save these instructions. Read through this owner's manual carefully before using product. Protect yourself and others by observing all safety information, warnings, and cautions. Failure to comply with instructions could result in personal injury and/or damage to product or property. Please retain instructions for future reference.



## AUTOMOTIVE TUNE-UP AND BRAKE BLEED KIT

### FOR CUSTOMER SERVICE

Technical Question?

**CALL 1-866-458-2472**  
**customerservice@oem-tools.com**

### UNPACKING

After unpacking unit, inspect carefully for any damage that may have occurred during transit. Check for loose, missing, or damaged parts. If any damage is observed, a shipping damage claim must be filed with carrier. DO NOT use OEMTOOLS™ Automotive Tune-Up and Brake Bleed Kit if broken, bent, cracked or damaged parts (including labels) are noted. Any Repair Kit that appears damaged in any way, operates abnormally or is missing parts should be removed from service immediately. If you suspect that the Repair Kit was subjected to a shock load (a load that was dropped suddenly, unexpectedly, etc.), immediately discontinue use until it has been checked by a factory authorized service center.



25136

### ⚠ WARNING

The following safety information is provided as a guideline to help you operate your Automotive Tune-Up and Brake Bleed Kit under the safest possible conditions. Any tool or piece of equipment can be potentially dangerous to use when safety or safe handling instructions are not known or not followed. The following safety instructions are to provide the user with the information necessary for safe use and operation. Please read and retain these instructions for the continued safe use of your Automotive Tune-Up and Brake Bleed Kit. Failure to follow instructions listed below may result in serious injury. In addition, make sure that anyone who uses the equipment understands and follows these safety instructions as well.

### Explanation of Safety Signal Words

**⚠ WARNING:** Indicates a potentially hazardous situation which, if not avoided, could result in death or serious injury.

**⚠ CAUTION:** Indicates a potentially hazardous situation which, if not avoided, may result in minor or moderate injury.

**CAUTION:** Used without the safety alert symbol indicates a potentially hazardous situation which, if not avoided, may result in property damage.

**NOTES:** Provide clarity and helpful information.

Thank you very much for choosing an OEMTOOLS™ Product!

For future reference, please register your new tool at [www.oem-tools.com](http://www.oem-tools.com) and complete the owner's record below:

**Model:** \_\_\_\_\_ **Purchase Date:** \_\_\_\_\_

Save the receipt, warranty and these instructions. It is important that you read the entire manual to become familiar with this product before you begin using it. This product is designed for certain applications only. OEMTOOLS™ cannot be responsible for issues arising from modification. We strongly recommend that this product is not modified and/or used for any application other than that for which it was designed. If you have any questions relative to a particular application, DO NOT use the product until you have first contacted customer service to determine if it can or should be performed on the product.

**⚠ WARNING:** This product can expose you to chemicals, including DEHP and lead, which are known to the State of California to cause cancer and birth defects or other reproductive harm. For more information, go to [www.P65Warnings.ca.gov](http://www.P65Warnings.ca.gov).



## AUTOMOTIVE TUNE-UP AND BRAKE BLEED KIT

### **! IMPORTANT INSTRUCTIONS AND SAFETY RULES**

1. Know your product. Read this manual carefully. Learn the product's applications and limitations, as well as potential hazards specific to it.
2. Keep work area clean and well lit. Cluttered or dark work areas invite accidents.
3. Keep children away. All children should be kept away from the work area. Never let a child handle tools or equipment without strict adult supervision.
4. DO NOT operate this product if under the influence of alcohol or drugs. Read warning labels on prescriptions to determine if your judgment or reflexes are impaired while taking drugs. If there is any doubt, DO NOT attempt to operate.
5. Use safety equipment. Eye protection should be worn at all times when operating this tool. Use ANSI approved safety glasses. Everyday eyeglasses are NOT safety glasses. Dust mask, non-skid safety shoes, hard hat or hearing protection should be used in appropriate conditions.
6. Wear proper apparel. Loose clothing, gloves, neck-ties, rings, bracelets or other jewelry may present a potential hazard when operating this product. Keep all apparel clear of the product.
7. DO NOT overreach. Keep proper footing and balance at all times when operating this product.
8. Check for damage. Check equipment regularly. If part of the product is damaged, it should be carefully inspected to make sure that it can perform its intended function correctly. If in doubt, discontinue use of product.
9. Keep away from flammables. DO NOT attempt to operate this product near flammable materials or combustibles. Failure to comply may cause serious injury or death.
10. Store this product out of the reach of children and untrained persons. This product may be dangerous in the hands of untrained users.
11. Keep this product dry and clean.
12. Use only accessories that are recommended by the manufacturer for your model. Accessories that may be suitable for one product may become hazardous when used on another product.
13. Service must be performed only by qualified repair personnel. Service or maintenance performed by unqualified personnel could result in a risk of injury.
14. When servicing a product, use only identical replacement parts. Use of unauthorized parts or failure to follow maintenance instructions may create a risk of injury.
15. Maintain a safe working environment. Keep the work area well lit. Make sure there is adequate surrounding workspace. Keep the work area free of obstructions, grease, oil, trash, and other debris. DO NOT use this product in a damp or wet location.
16. Maintain labels and nameplates on this product. These carry important information. If unreadable or missing, contact OEMTOOLS™ for a replacement.
17. Keep this product dry, clean, and free from brake fluid, oil, and grease.
18. Avoid accidental fire. DO NOT smoke near this product.
19. The warnings, precautions, and instructions discussed in this manual cannot cover all possible conditions and situations that may occur. The operator must understand that common sense and caution are factors which cannot be built into this product, but must be supplied by the operator.
20. We believe the information contained herein to be reliable. However, general technical information is given by us without charge and the user shall employ such information at their own discretion and risk. We assume no responsibility for results or damages incurred from the use of such information in whole or in part.
21. The manufacturer declines any and all responsibility for property damage or injury if said damage is the result of unskillful handling by the operator or of failure to observe the basic safety rules set forth in the instruction manual.
22. The procedures documented in this manual are to serve as guidelines for the use of this equipment.
23. The use of this equipment is simple and straightforward if you follow the instructions. When operating this equipment, use common sense, and only use this equipment for its intended purpose.

### PRODUCT DESCRIPTION

The OEMTOOLS™ Automotive Tune-Up and Brake Bleed Kit is ideal for many automotive applications such as tune-ups, diagnostics and testing, one-man brake bleeding and liquid syphoning. The pump may also be used to easily diagnose vacuum and pressure related systems.

### PRODUCT SPECIFICATIONS

<b>Displacement</b>	1 CU. IN./ STROKE
<b>Vacuum Gauge</b>	0 – 30 PSI
<b>Fluid Reservoir Capacity</b>	4.5 Oz.
<b>Long Connection Tube Length</b>	24.5"
<b>Short Connection Tube Lengths</b>	1.5", 3", 3.75"

### INCLUDES

(1) Vacuum Pump, (1) Fluid Reservoir, (2) Reservoir Caps, (8) Tapered Adapters, (2) Universal Bleed Screw Adapters, (1) T-Adapter, (1) Straight Adapter, (1) Cupped Adapter, and (5) Connection Tubes.



## AUTOMOTIVE TUNE-UP AND BRAKE BLEED KIT

### SPECIFIC SAFETY INSTRUCTIONS AND WARNINGS

**CAUTION:** DO NOT place on hot surfaces or expose any part of the tool or adapters to direct flame.

**CAUTION:** Dropping the tool or impact with another object may cause product damage, resulting in inaccurate gauge readings.

**CAUTION:** DO NOT use petroleum-based lubricants (such as WD-40, motor oil, etc.) to lubricate the pump, this will cause irreparable damage to the pump.

### INSTRUCTIONS

**NOTE:** To quickly release vacuum, press the vacuum release trigger located below the vacuum port.

#### For Tests Requiring a Vacuum

1. Attach the appropriate adapter, so that there is an air-tight line between the pump and the component being tested.
2. Squeeze the pump until the desired vacuum is indicated on the gauge.
3. Press the vacuum release trigger located below the vacuum port to release vacuum.

#### To Measure a Vacuum in a System

1. Attach the appropriate adapter, so that there is an air-tight line between the pump and the component being tested.
2. Read the gauge for vacuum in the system.

**NOTE:** DO NOT squeeze the pump, this will provide inaccurate readings.

### TRANSFERRING AND SYPHONING FLUIDS

**NOTE:** The pump is not designed to pass liquids through it; an intermediate receptacle must be used to prevent liquids from reaching the pump.

#### For Tests Requiring a Vacuum

1. Connect the pump to the desired short connection tube.
2. Connect the open end of the selected connection tube onto one of the ports on the cap of the fluid reservoir.

**NOTE:** Ensure the cap with o-ring is completely installed. Failure to completely install the cap or o-ring will result in malfunction, as no vacuum will be created.

3. Connect one end of the long connection tube to the open port on the cap of the fluid reservoir.
4. Place the other end of the long connection tube into the liquid that is being siphoned.
5. Keep the receptacle below the level of the liquid being siphoned.

6. Squeeze the pump handle to initiate vacuum.
7. When the desired amount of liquid is reached, remove the tubing from the tank.

**NOTE:** Stop siphoning before the reservoir is completely full to avoid liquid drawing into the pump.

### PRODUCT MAINTENANCE

1. Always store the Automotive Tune-Up and Brake Bleed Kit in a well-protected area where it will not be exposed to inclement weather, corrosive vapors, abrasive dust, or any other harmful elements.
2. Keep the Automotive Tune-Up and Brake Bleed Kit clean for better and safer performance.

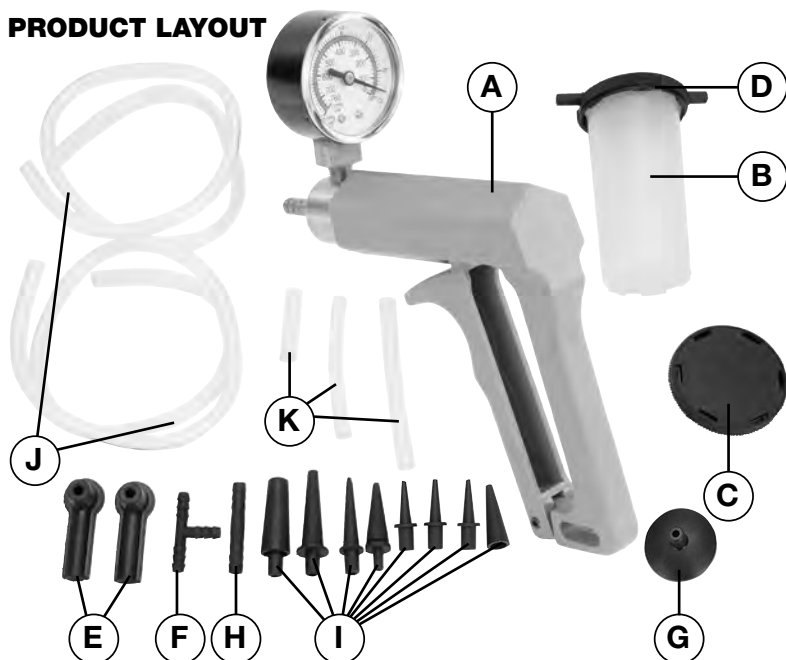
### DISPOSAL

At the end of the useful life of the Automotive Tune-Up and Brake Bleed Kit, dispose of the components according to all state, federal, and local regulations.



# AUTOMOTIVE TUNE-UP AND BRAKE BLEED KIT

## PRODUCT LAYOUT



## PARTS LIST

Figure	Description	Qty.
A	Vacuum Pump	1
B	Reservoir	1
C	Reservoir Cap	1
D	Reservoir Cap With Ports	1
E	Universal Bleed Screw Adapter	2
F	T-Shaped Hose Adapter	1
G	Cupped Adapter	1
H	Straight Adapter	1
I	Tapered Adapters	8
J	Long Connection Tubing	2
K	Short Connection Tubing	3

### OEMTOOLS™ LIMITED LIFETIME WARRANTY

For as long as you own this OEMTOOLS™ product, if you find any defect in material or workmanship, through normal usage, return it to the place of purchase or to OEMTOOLS™ for repair or replacement at our discretion. In order to obtain this service, send your tool and proof of purchase (transportation pre-paid) to:

OEMTOOLS™ Q.A. Dept., 3580 E. Raines Road #3, Memphis, TN 38118.

We will not be responsible for lost or damaged goods during transportation; please insure your package. If our inspection verifies the defect, we will repair or replace the product, or we may elect to refund the purchase price if we cannot readily and quickly provide you with a replacement. We will return repaired products at our expense, but if we determine there is no defect, or that the defect resulted from causes not within the scope of our warranty, then you must bear the cost of returning the product.

OEMTOOLS™ does not provide warranty for products labeled other than OEM® or OEMTOOLS™. OEMTOOLS™ will not provide any warranty for products subjected to abnormal use. Abnormal use includes (but is not limited to) abuse, accident, alteration, neglect, and unauthorized or unreasonable use or repairs. This warranty does not cover bits, blades, files, batteries, or calibration. We recommend that you maintain your tools and sharpen or replace blades, bits, files, and batteries as necessary. OEMTOOLS™ reserves the right to make any changes in construction or design at any time without any obligation in incorporating such changes to tools or equipment previously sold.

OEMTOOLS™ makes every effort to ensure that its products meet high quality and durability standards, and warrants to the original purchaser that this product is free from defects in materials and workmanship. This warranty does not apply to damage due directly or indirectly to misuse, abuse, negligence or accidents, repairs or alterations outside our facilities, criminal activity, improper installation, normal wear and tear, or to lack of maintenance.

We shall in no event be liable for death, injuries to persons or property, or for incidental, contingent, special or consequential damages arising from the use of our product. Some states do not allow the exclusion or limitation of incidental or consequential damages, so the above limitation of exclusion may not apply to you. THIS WARRANTY IS EXPRESSLY IN LIEU OF ALL OTHER WARRANTIES, EXPRESS OR IMPLIED, INCLUDING THE WARRANTIES OF MERCHANTABILITY AND FITNESS. This warranty gives you specific legal rights, and you may also have other rights, which vary from state to state.

Don't forget to register your new OEMTOOLS™ product at [www.oem-tools.com](http://www.oem-tools.com).

## CONTACT US

3580 E. Raines Road, Suite 3, Memphis, TN 38118  
 Tel: 1-866-458-2472  
[www.oem-tools.com](http://www.oem-tools.com)

